

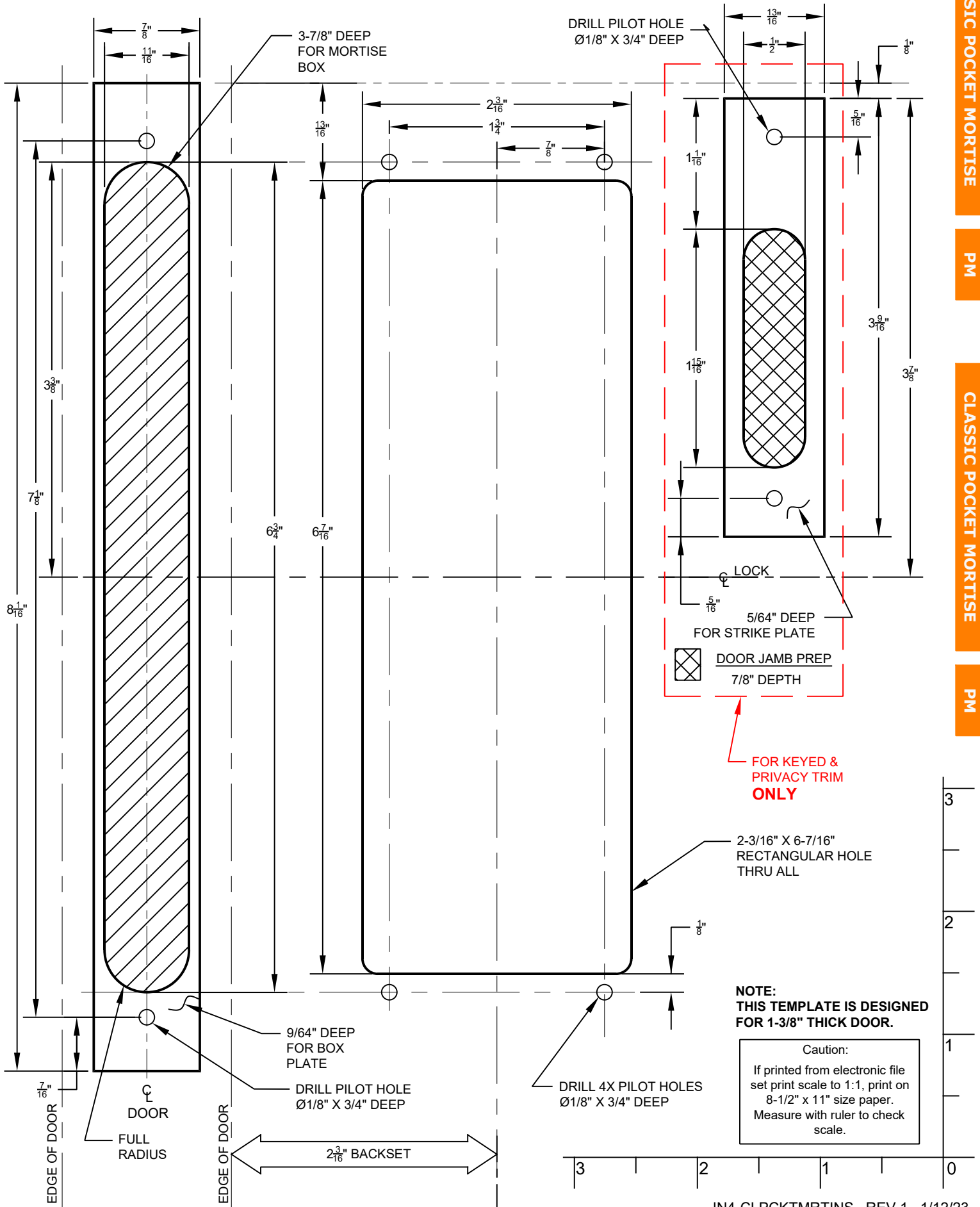
**CLASSIC POCKET MORTISE  
DOOR PREPARATION TEMPLATE**

CLASSIC POCKET MORTISE

PM

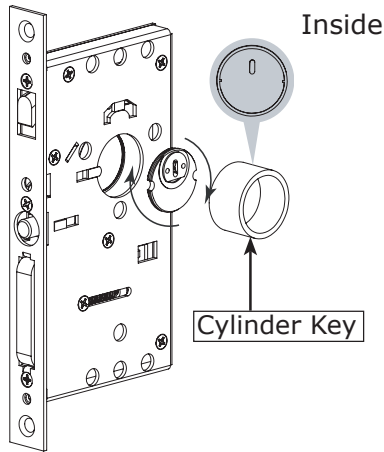
CLASSIC POCKET MORTISE

PM



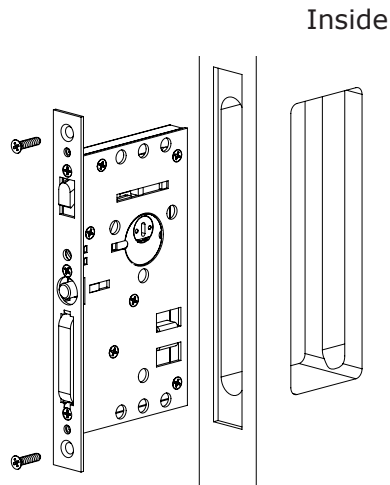
1. Install Drive Bar Cylinder

Use **Cylinder Key** to thread Drive Bar Cylinder clockwise on **interior side** of door.



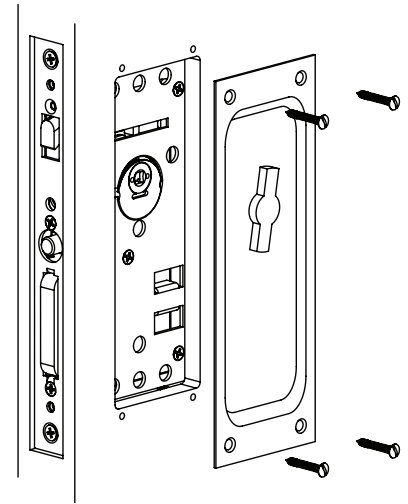
Note: Notches on cylinder must be parallel with the horizontal plane when screwed **flush** into lock body.

2. Install Lock Body

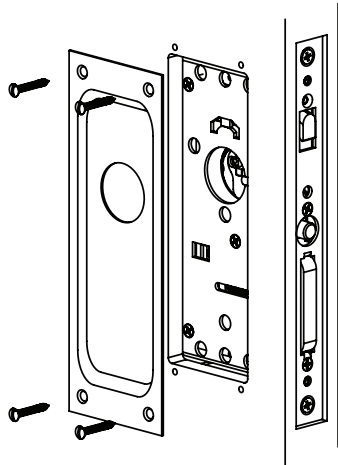


See template for door prep specifications

3. Mount Inside Plate

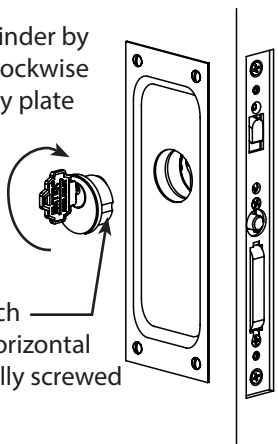


4. Mount Outside Plate



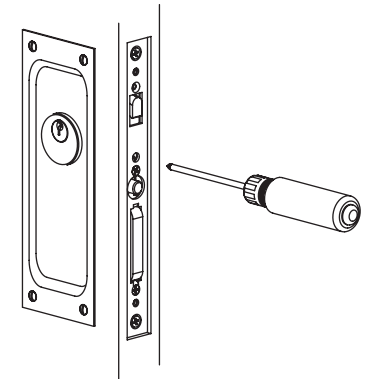
5. Thread Key Cylinder

Install Key Cylinder by threading it clockwise onto lock body plate



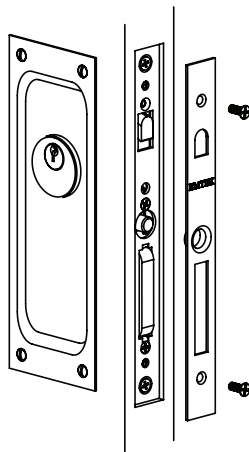
Key Cylinder notch must be at the horizontal position when fully screwed in lock body.

6. Tighten Drive Bar Cylinder

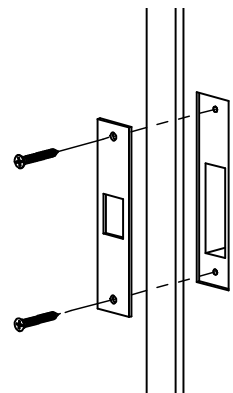


Tighten locking screw to engage notch on cylinder

7. Install Trim Plate



8. Install Door Jamb

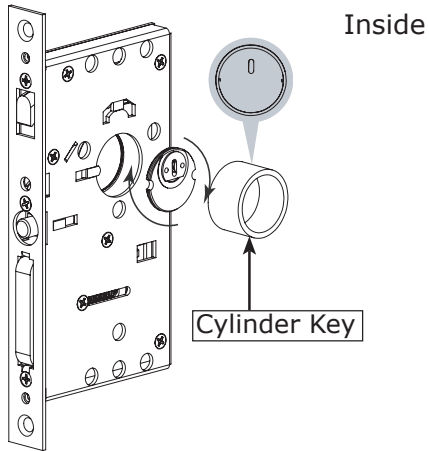


Drill two 7/64" pilot holes

See template for door jamb prep specifications

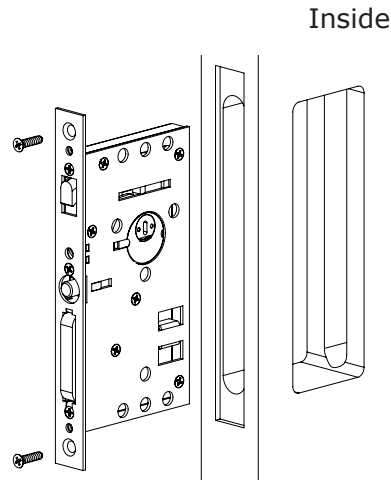
### 1. Install Drive Bar Cylinder

Use **Cylinder Key** to thread Drive Bar Cylinder clockwise on **interior side** of door.



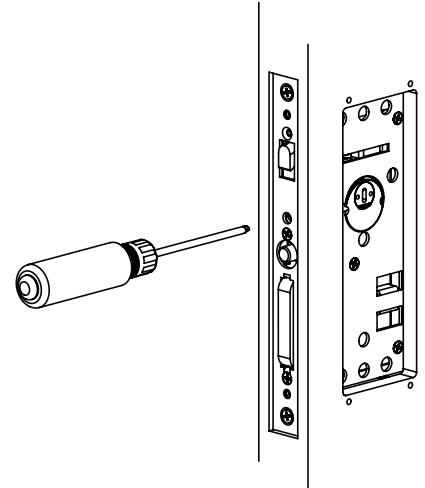
Note: Notches on cylinder must be parallel with the horizontal plane when screwed **flush** into lock body.

### 2. Install Lock Body

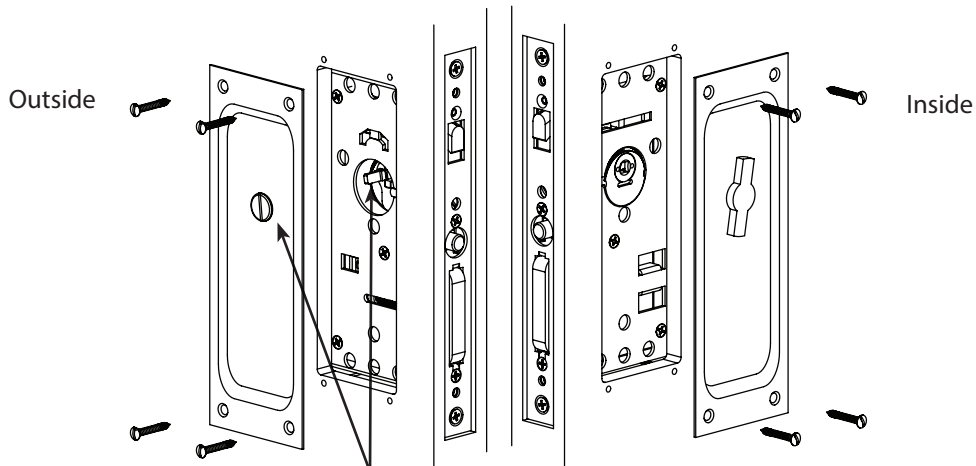


See template for door prep specifications

### 3. Tighten Drive Bar Cylinder

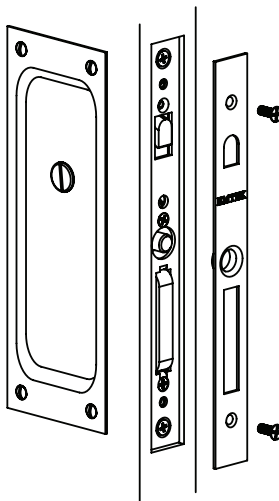


### 4. Mount Inside/Outside Plates

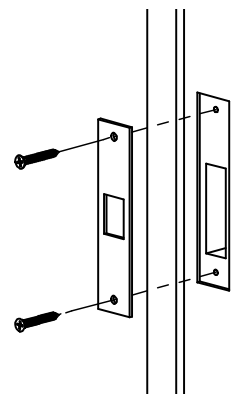


Align Passage/Privacy Button with Thumb-Turn tail piece and secure trim plates to door.

### 5. Install Trim Plate



### 6. Install Door Jamb

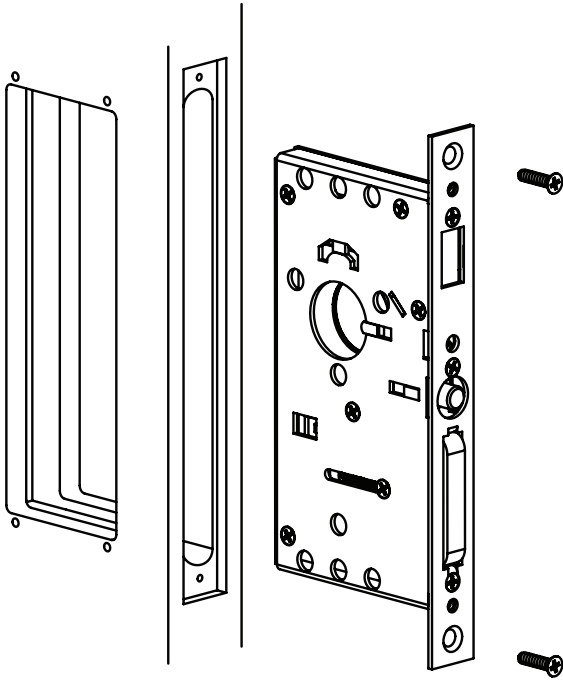


Drill two 7/64" pilot holes

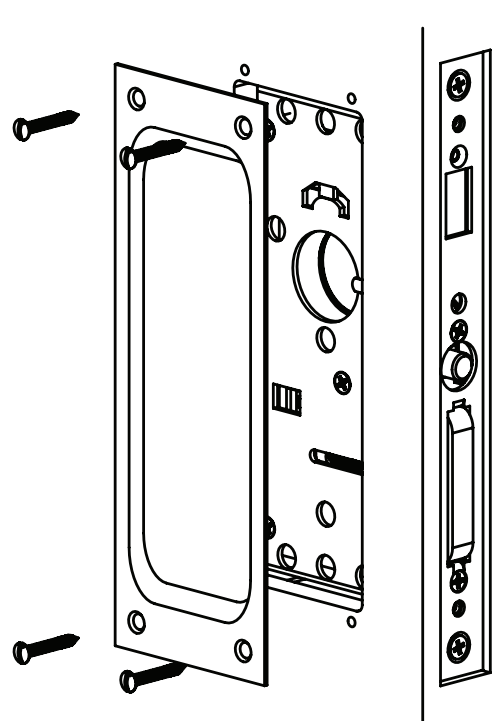
See template for door jamb prep specifications

### 1. Install Lock Body

### 2. Install Outside Plate



See template for door prep specifications



### 3. Install Inside Plate

### 4. Install Trim Plate

