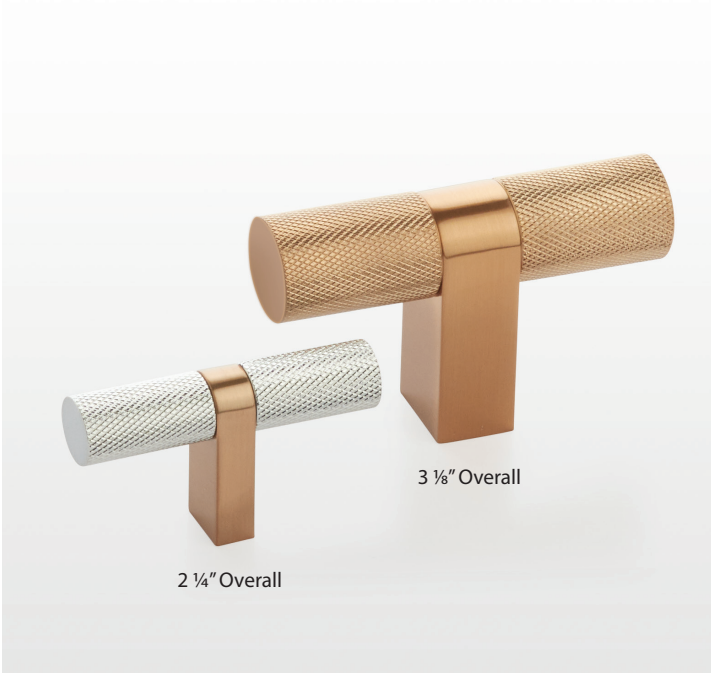


SELECT BAR CABINET T-KNOB & FINGER PULLS

EMTEK®



SELECT BAR CABINET T-KNOB				Stem	Bar Pull
Product Code	Overall	Bar Width(W)	Projection(P)	<p>RECTANGULAR BAR (RCB)</p>	<p>KNURLED (KN) SMOOTH (SM)</p>
86656	2 1/4"	1/2"	1 3/8"		
86657	3 1/8"	7/8"	2 1/8"	STEM AND BAR PULL WILL BE PERMANENTLY AFFIXED.	

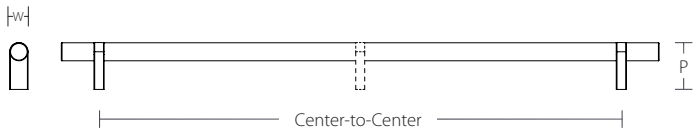
SELECT BAR CABINET FINGER PULL				Stem	Bar Pull
Product Code	Overall	Bar Width(W)	Projection(P)	<p>RECTANGULAR (REC)</p>	<p>KNURLED (KN) SMOOTH (SM)</p>
86658	1 1/2"	1/2"	1 3/8"		
86659	2"	7/8"	2 1/8"	STEM AND BAR PULL WILL BE PERMANENTLY AFFIXED.	

SELECT BAR CABINET PULLS

EMTEK®



SELECT CABINET BAR PULL						Stem	Bar Pull
Product Code	C-To-C	Overall	Bar Width(W)	Projection (P)	Stem		
84152	3 1/2"	5 3/4"	1/2"	1 3/8"	2	<p>RECTANGULAR BAR (RCB)</p>	<p>KNURLED (KN)</p>
84153	4"	6 1/4"	1/2"	1 3/8"	2		
84154	5"	7 1/4"	1/2"	1 3/8"	2		
84155	6"	8 1/4"	1/2"	1 3/8"	2		
84156	8"	10 1/4"	1/2"	1 3/8"	2		
84157	10"	12 1/4"	1/2"	1 3/8"	2		
84158	12"	14 1/4"	1/2"	1 3/8"	2		
84159	16"	18 1/4"	1/2"	1 3/8"	3		
84160	20"	22 1/4"	1/2"	1 3/8"	3		
84161	24"	26 1/4"	1/2"	1 3/8"	3		



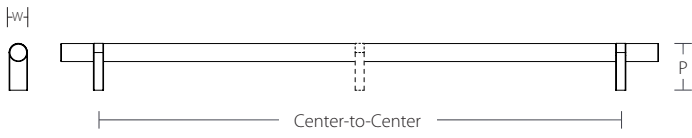
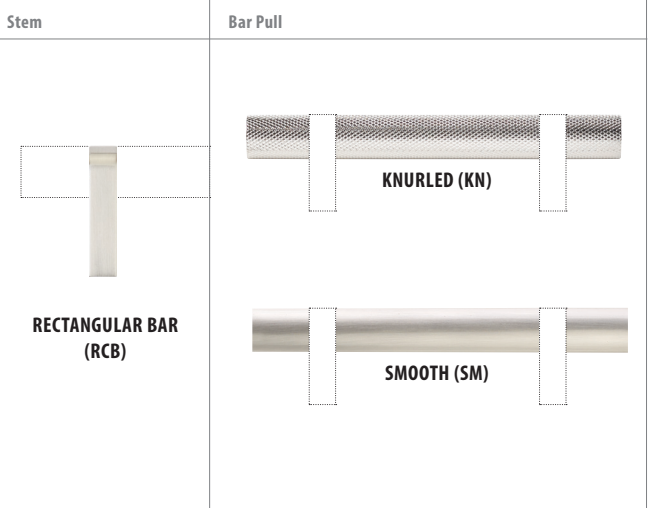
SELECT BAR APPLIANCE PULLS

EMTEK®



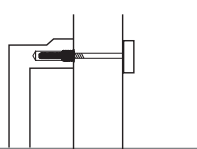
SELECT APPLIANCE BAR PULL

Optional Mounting	Product Code	C-to-C	Overall	Bar Width(W)	Projection(P)	Stem	List Price
CS or BTB	84170	12"	15 1/8"	7/8"	2 1/8"	2	\$206.00
CS or BTB	84171	18"	21 1/8"	7/8"	2 1/8"	2	\$300.00
CS or BTB	84172	24"	27 1/8"	7/8"	2 1/8"	3	\$331.00
CS or BTB	84173	36"	39 1/8"	7/8"	2 1/8"	3	\$364.00



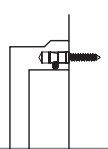
Standard Mounting

Thru-Bolt with Decorative Caps



Optional Mounting

Concealed Surface CS



Back-to-Back BTB

