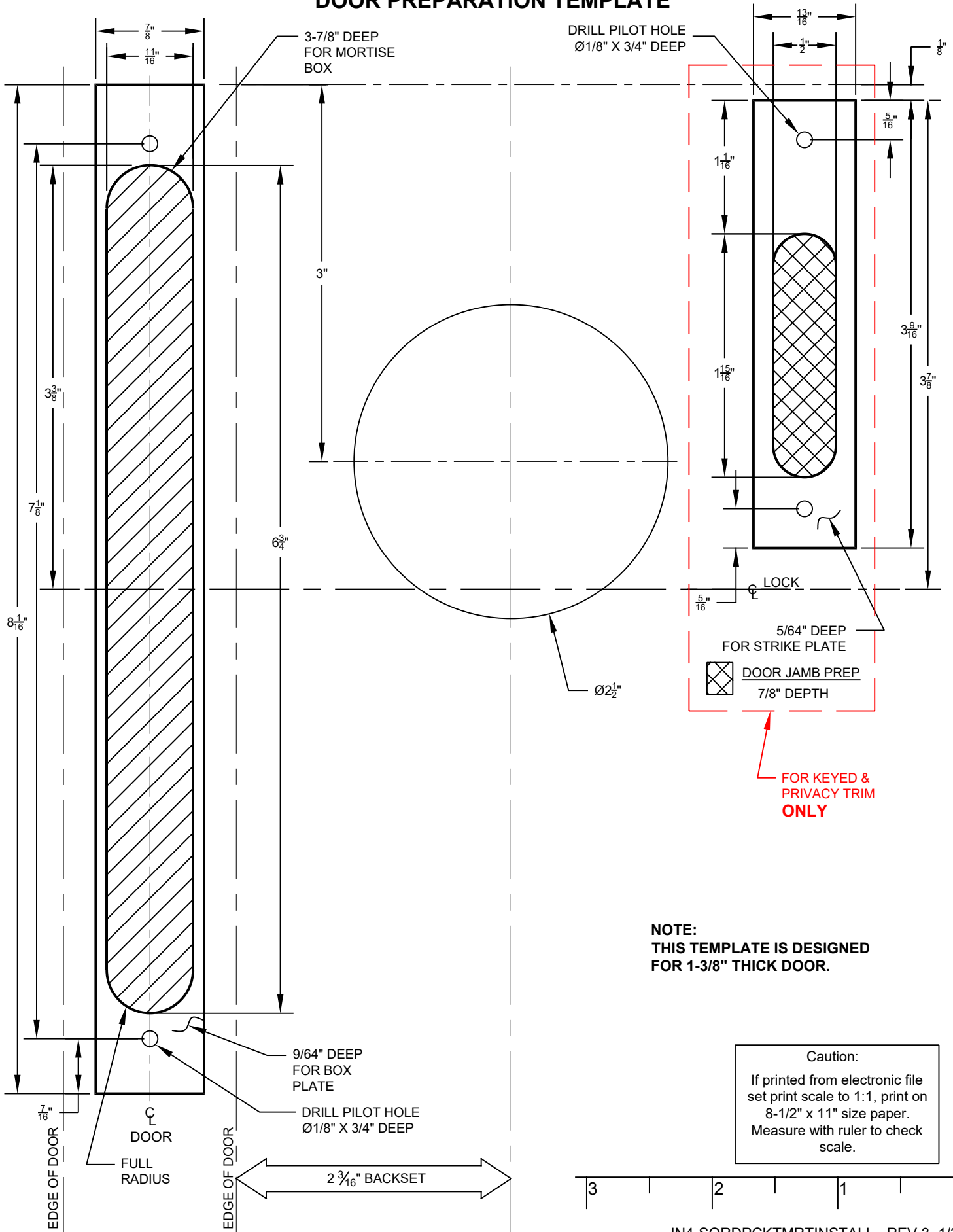


SQUARE & ROUND POCKET DOOR MORTISE DOOR PREPARATION TEMPLATE

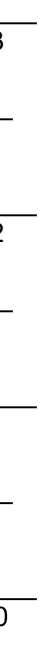


SQUARE & ROUND
POCKET MORTISE

PM

SQUARE & ROUND
POCKET MORTISE

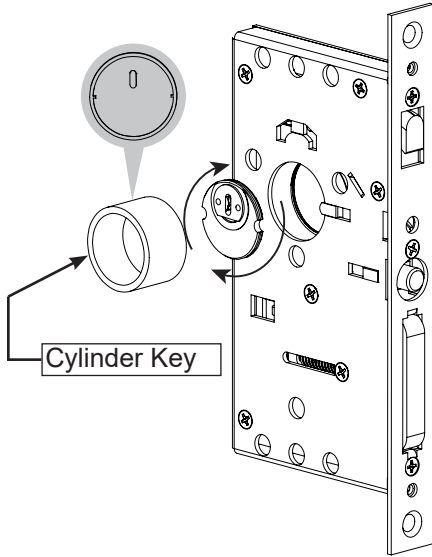
PM



1. Thread Drive Bar Cylinder

Use Cylinder Key to thread Drive Bar Cylinder clockwise on interior side of door.

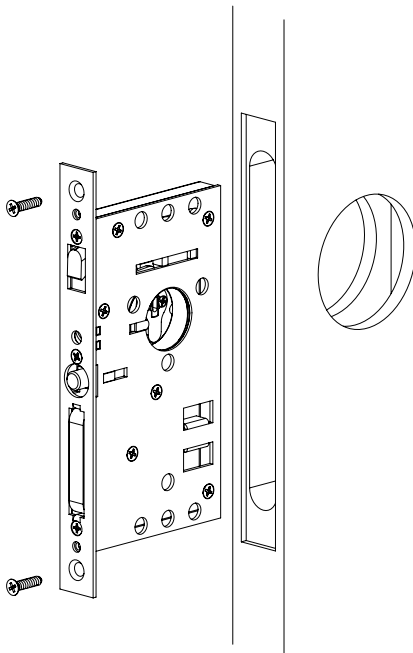
Note: Drive Bar Socket must be in the 12 o' clock position as shown.



Cylinder Key

Note: Notches on cylinder must be parallel with the horizontal plane when screwed flush into lock body.

2. Install Lock Body

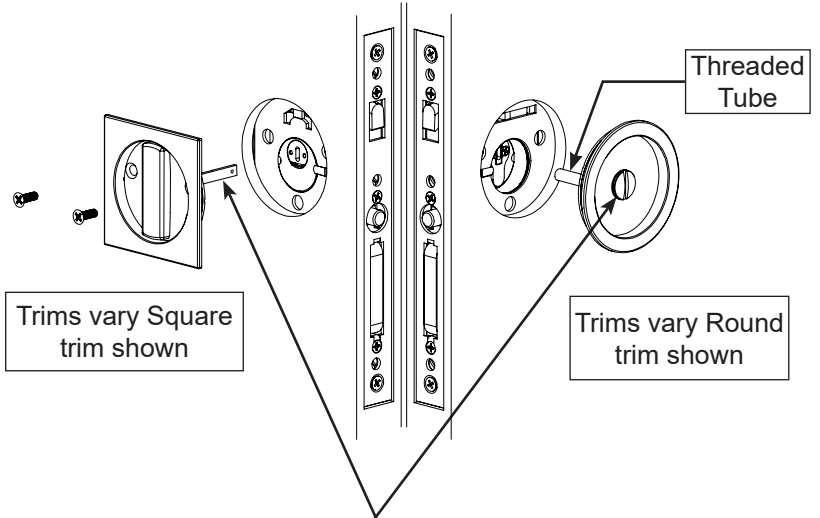


See template for door prep specifications

3. Install Inside and Outside Plates

Inside

Outside



Trims vary Square trim shown

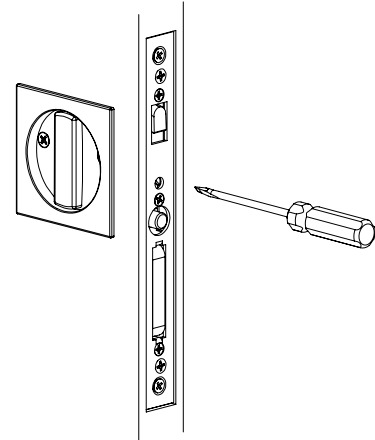
Trims vary Round trim shown

Threaded Tube

Align Passage/Privacy button with Thumb-turn tail piece and secure trim plates to door.

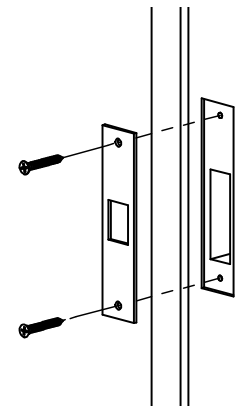
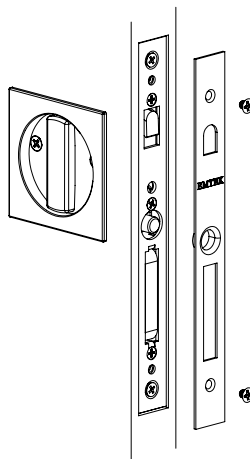
4. Tighten Drive bar Cylinder

Tighten locking screw to engage notches on drive bar cylinder.



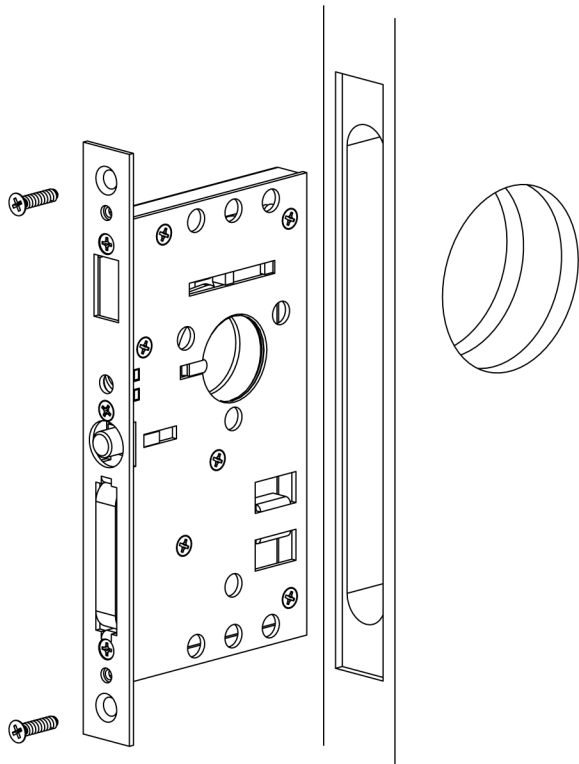
5. Install Trim Plate

Door Jamb Prep.



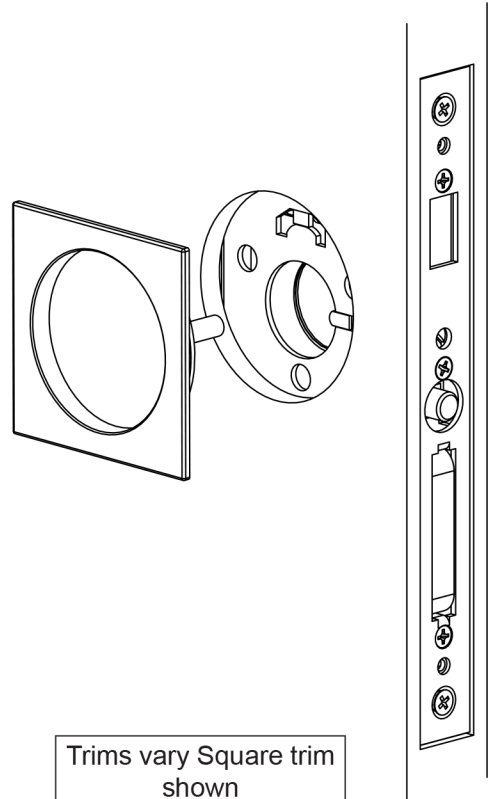
See template for door jamb prep specifications

1. Install Lock Body



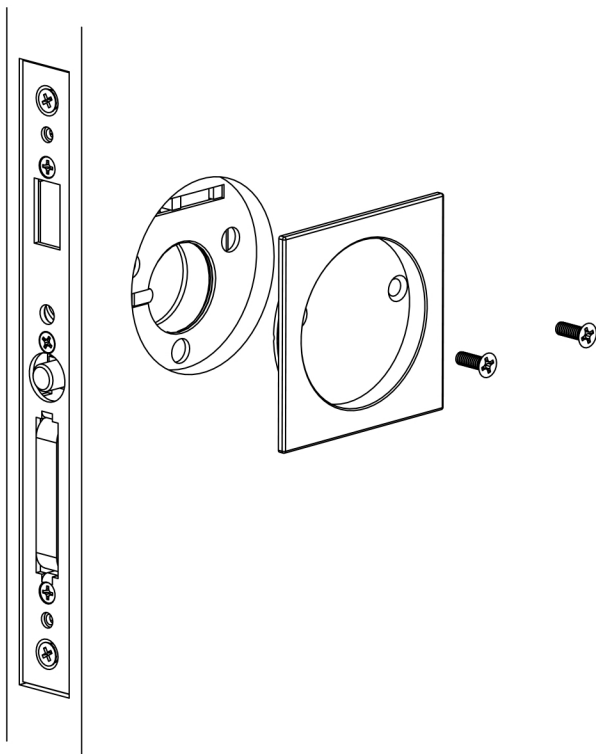
See template for door prep specifications

2. Install Outside Plate



Trims vary Square trim shown

3. Install Inside Plate



4. Install Trim Plate

