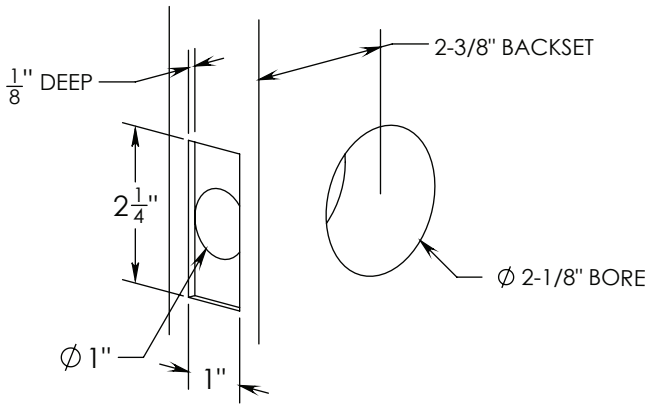


# Installation Instructions

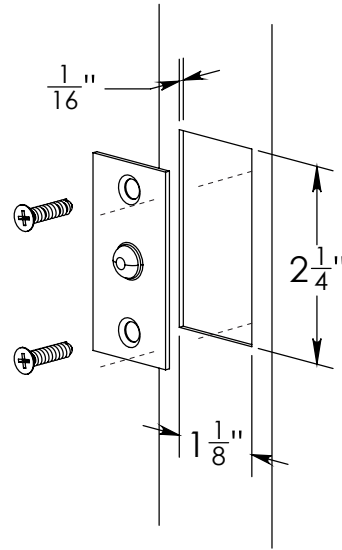
## Tubular Pocket Door Lock, Passage Function

EMTEK®

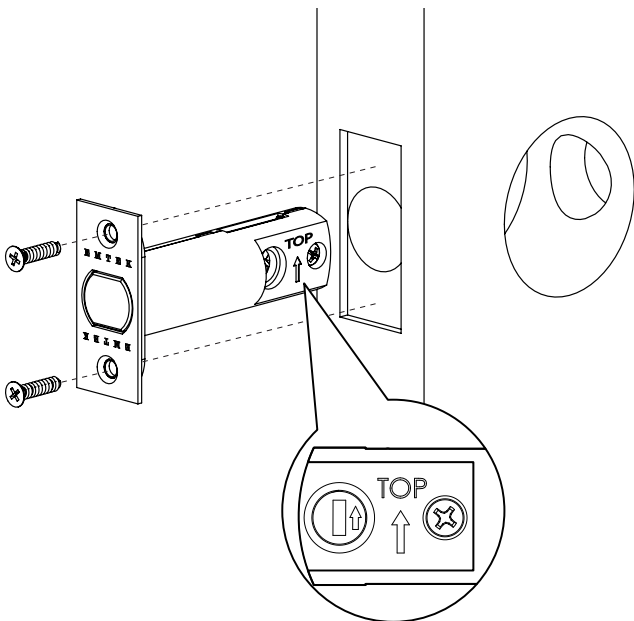
### 1. Door Prep



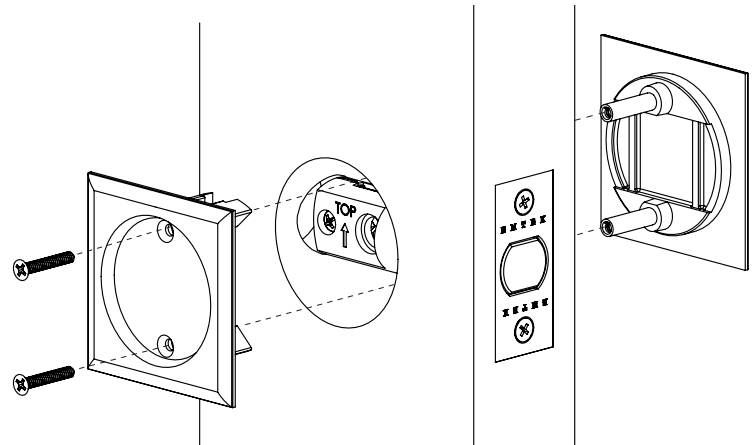
### 2. Jamb Prep



### 3. Install Latch



### 4. Install Interior and Exterior Trims

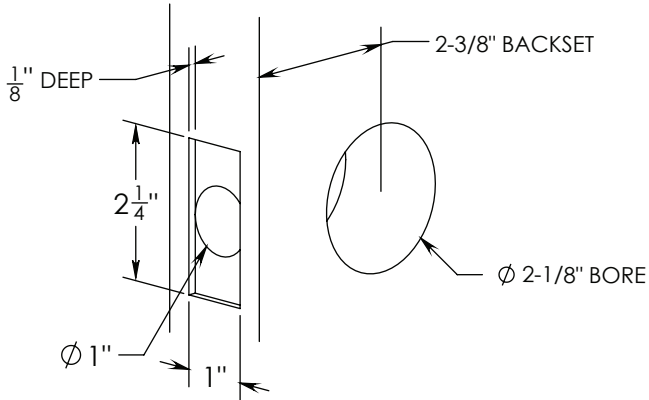


Trims vary depending on style

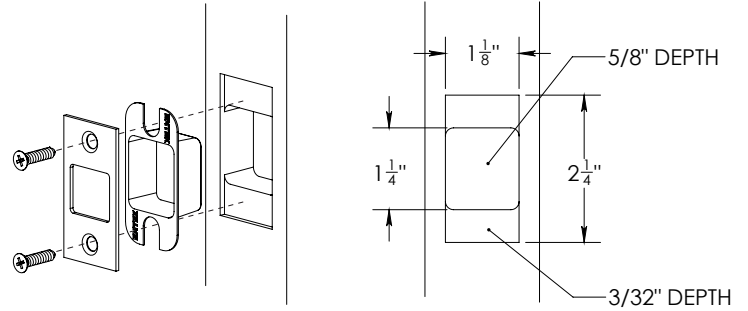
# Installation Instructions - Tubular Pocket Door Lock, Privacy Function

EMTEK®

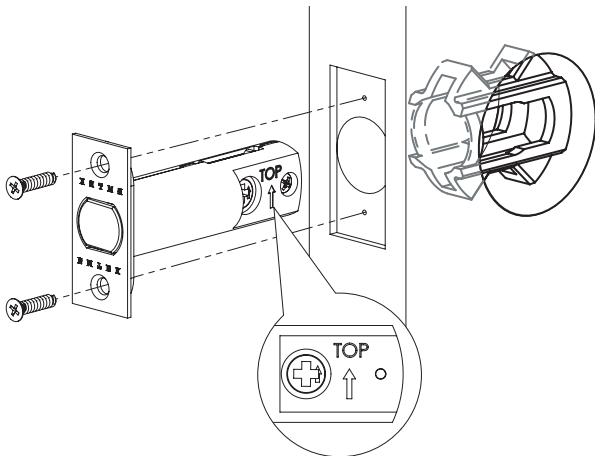
## 1. Door Prep



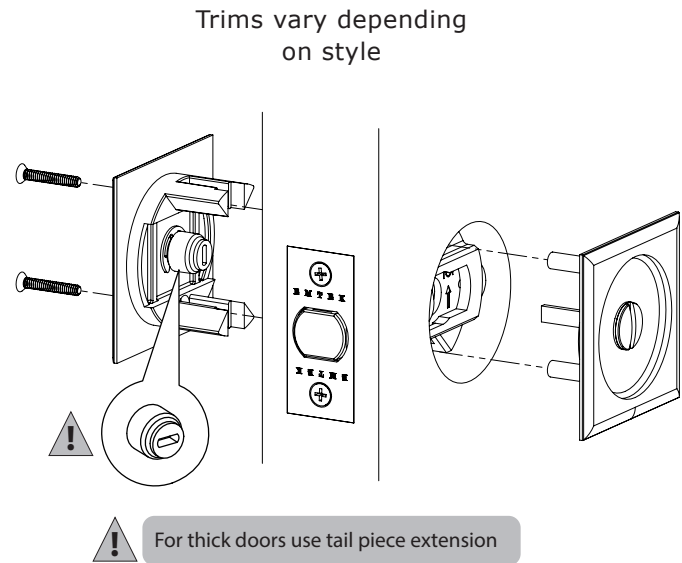
## 2. Jamb Prep



## 3. Install Latch



## 4. Install Interior and Exterior Trims

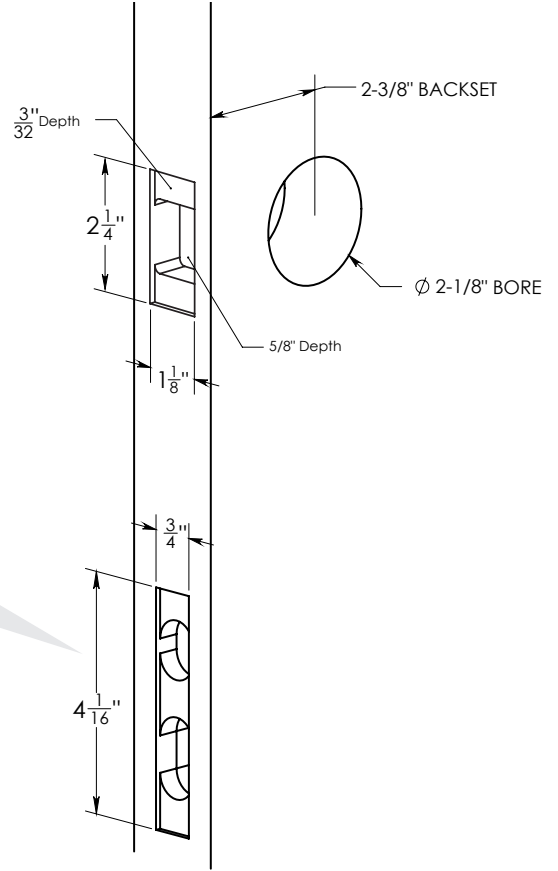
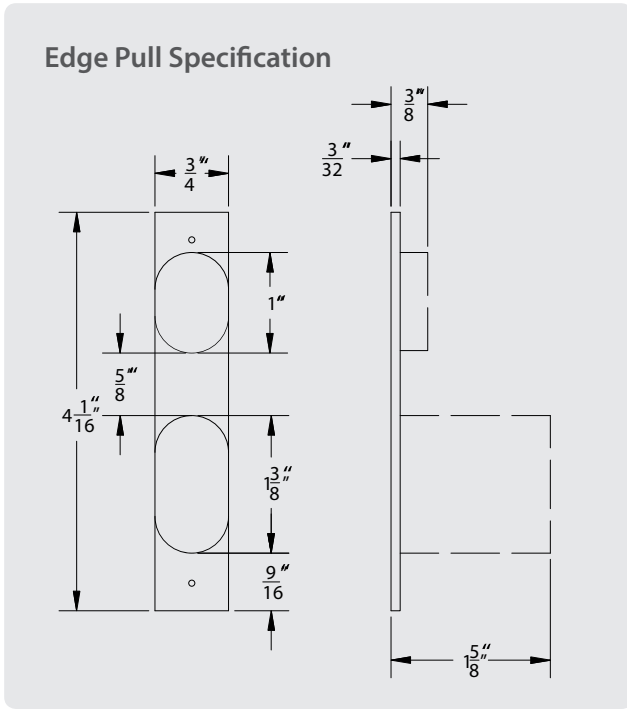


# Installation Instructions

## Tubular Pocket Door Lock, Dummy for Double Door Application

EMTEK

### 1. Door Prep



### 2. Dummy for Double Door Application

Privacy Strike Plate and Dust Box  
(Included with Privacy Lock Purchase)

