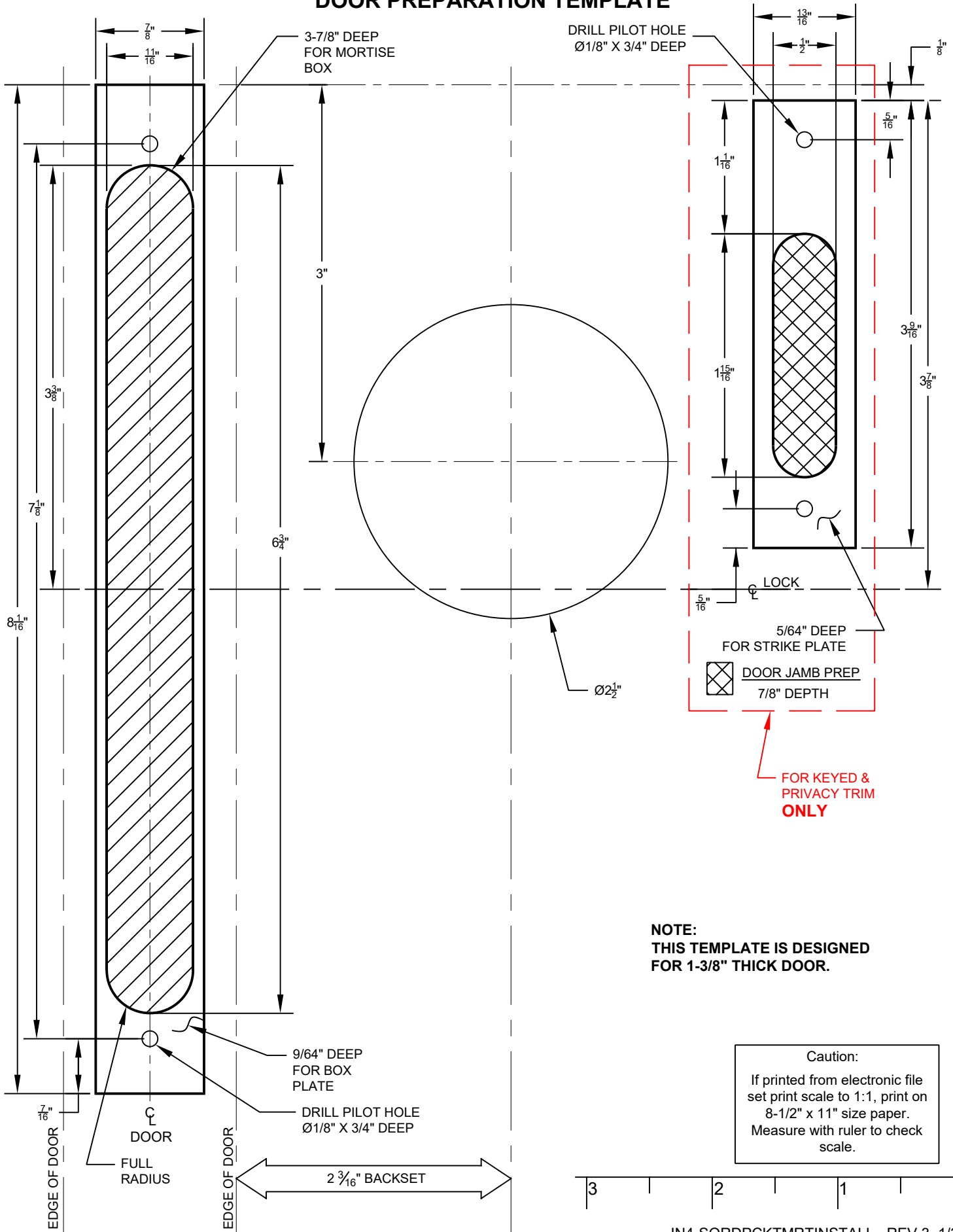


## SQUARE & ROUND POCKET DOOR MORTISE DOOR PREPARATION TEMPLATE



SQUARE & ROUND  
POCKET MORTISE

PM

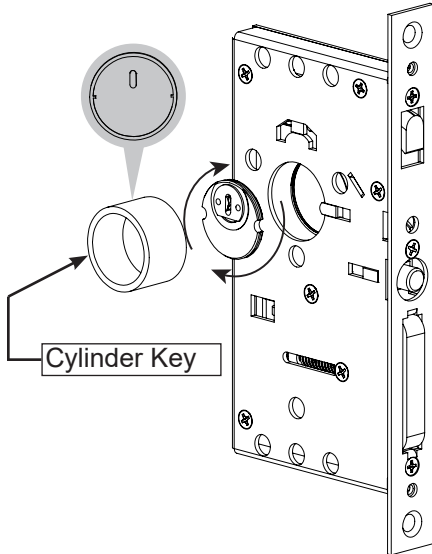
SQUARE & ROUND  
POCKET MORTISE

PM

### 1. Thread Drive Bar Cylinder

Use Cylinder Key to thread Drive Bar Cylinder clockwise on interior side of door.

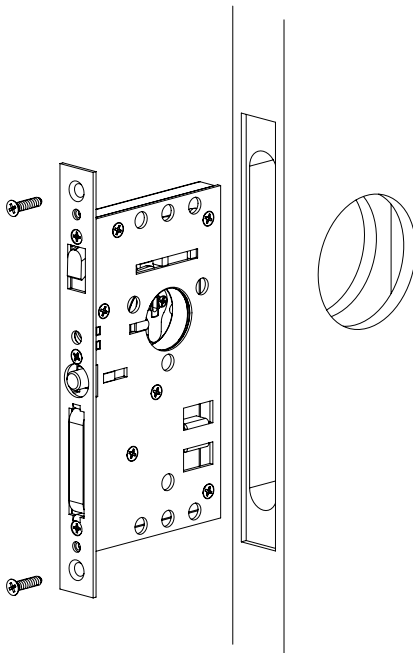
Note: Drive Bar Socket must be in the 12 o' clock position as shown.



Cylinder Key

Note: Notches on cylinder must be parallel with the horizontal plane when screwed flush into lock body.

### 2. Install Lock Body

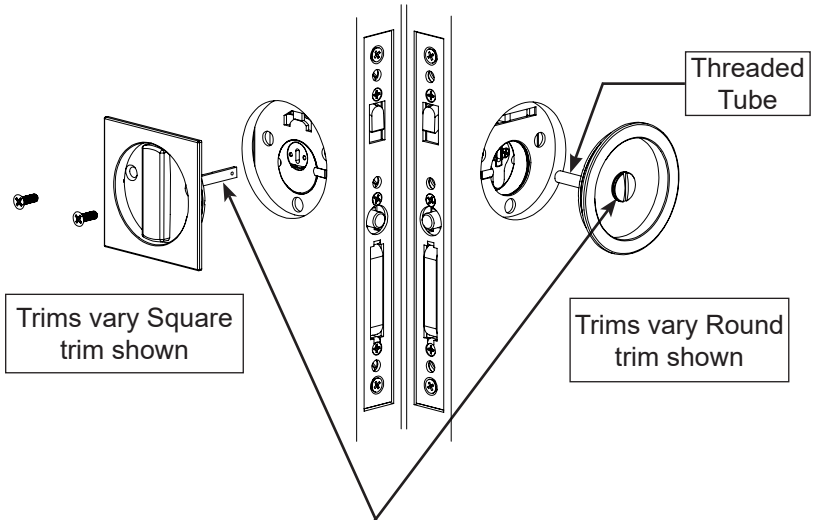


See template for door prep specifications

### 3. Install Inside and Outside Plates

Inside

Outside



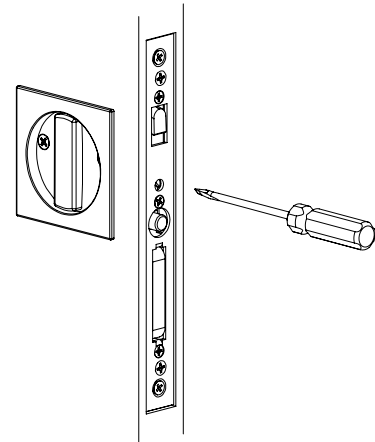
Trims vary Square trim shown

Trims vary Round trim shown

Align Passage/Privacy button with Thumb-turn tail piece and secure trim plates to door.

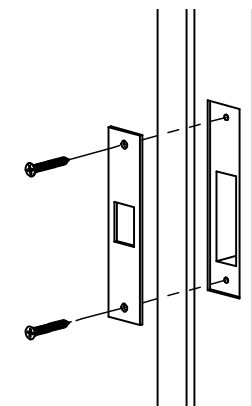
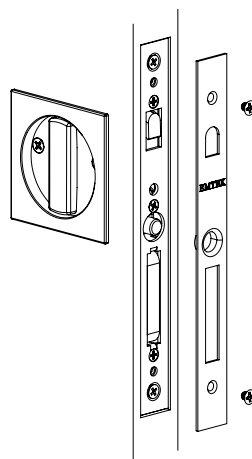
### 4. Tighten Drive bar Cylinder

Tighten locking screw to engage notches on drive bar cylinder.



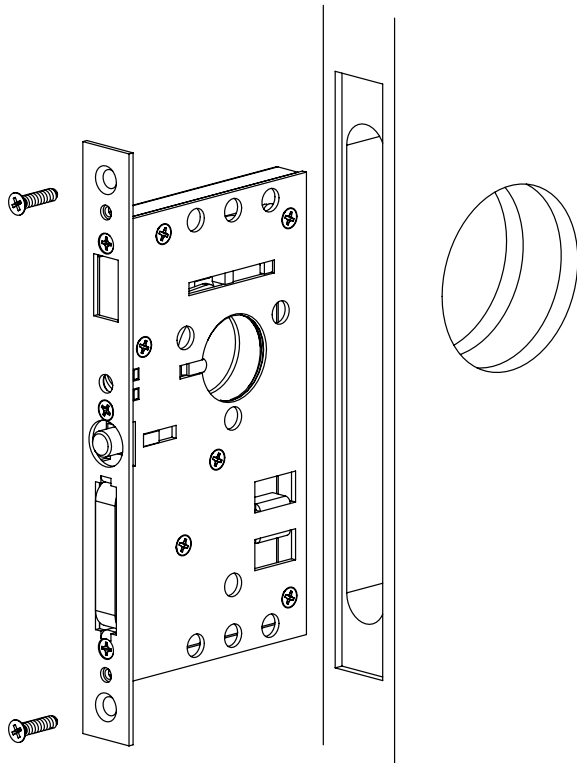
### 5. Install Trim Plate

### Door Jamb Prep.



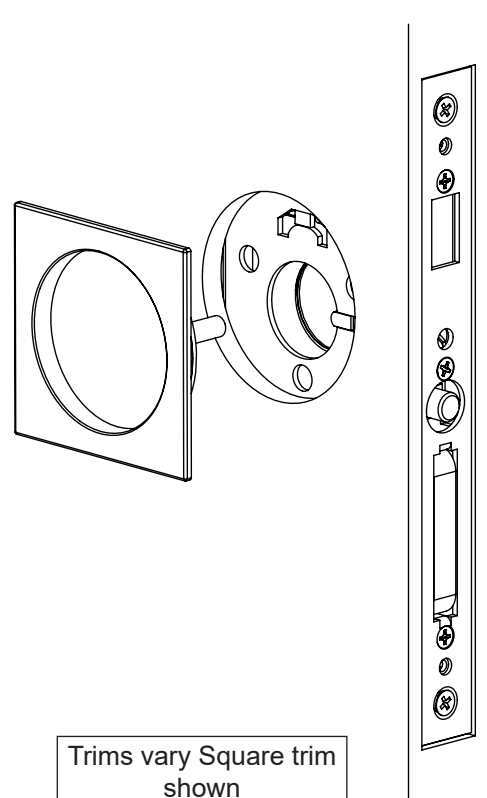
See template for door jamb prep specifications

### 1. Install Lock Body



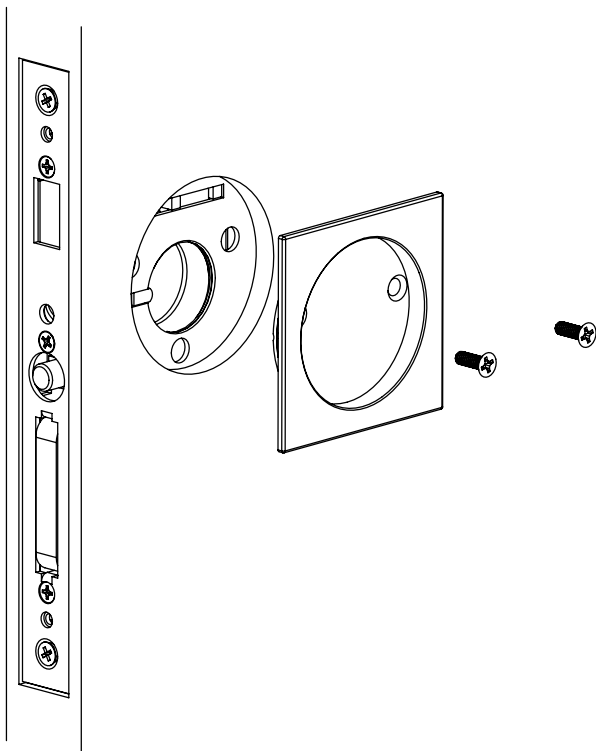
See template for door prep specifications

### 2. Install Outside Plate



Trims vary Square trim shown

### 3. Install Inside Plate



### 4. Install Trim Plate

