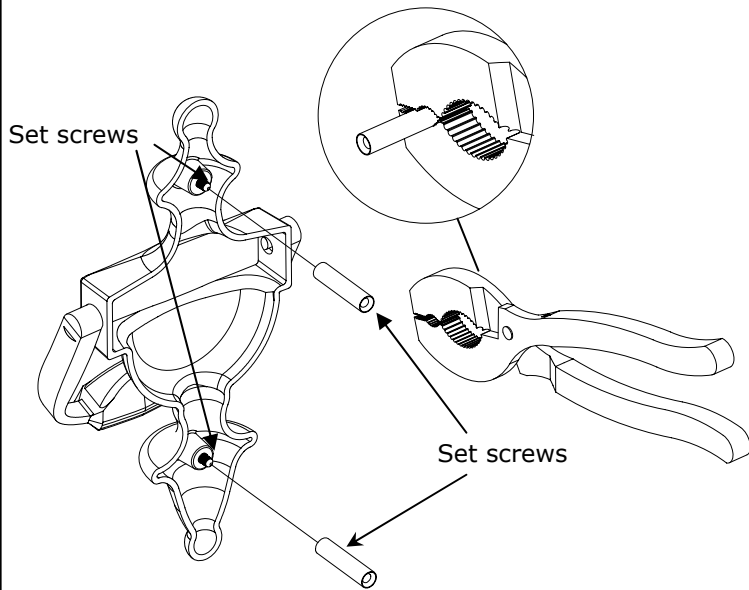
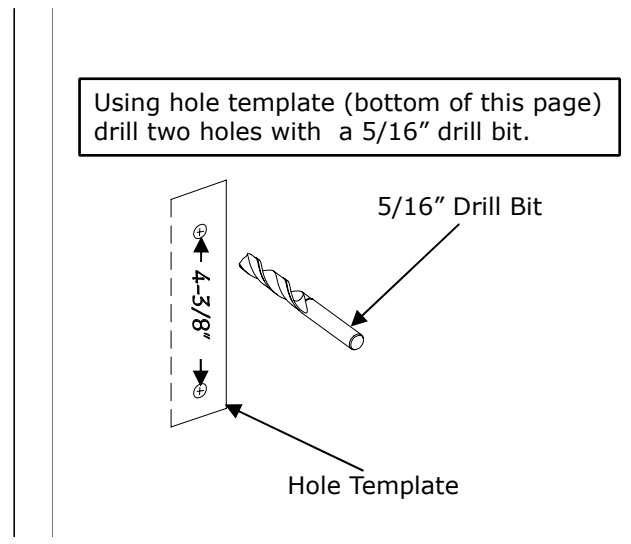


1. Install thru bolts

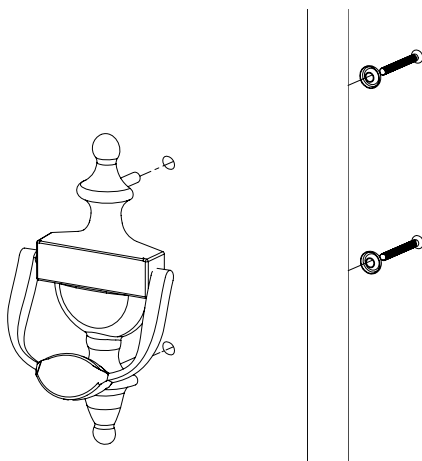


Thread Thru Bolts (provided) onto Knocker set screws. Use pliers to ensure that bolts are secure.

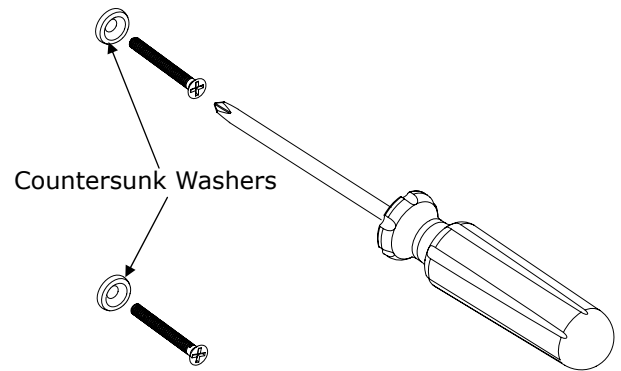
2. Drill holes in door



3. Install Knocker



4. Tighten Screws



TEMPLATE

